



KBP and KBC Series Prepackaged Cameras



- ▶ **General purpose, high performance, and Day/Night cameras**
- ▶ **Network and analog cameras**
- ▶ **Various lens options available**
- ▶ **Bilinx bi-directional communication**
- ▶ **Outdoor IP66, NEMA 4X enclosure rating**
- ▶ **Camera and lens are pre-wired into a Bosch housing**
- ▶ **Plug and Play design includes coax and power connectors on rear of the housing**

The KBP Series Prepackaged Cameras are complete surveillance systems that include a camera and lens installed and pre-wired into a Bosch housing which includes a feed-through wall-mount.

All packages feature Bosch's signature line of Dinion, Dinion^{XF} or Dinion IP cameras. Each package offers choices of a varifocal lens to fit a wide range of surveillance applications. Outdoor models are enclosed in a Bosch housing with an IP66, NEMA 4X enclosure rating.

Dinion^{XF} Series offers 15-bit digital video processing, delivering unsurpassed picture performance under even the most difficult light and scene conditions in conjunctions with XF-Dynamic wide dynamic range, which reveals all of the details in ultra high-contrast scenes.

Dinion IP network cameras are designed to ensure the highest possible image quality at all times, providing DVD-like, high-quality MPEG-4 video, at up to 25 images per second. Dinion IP is a true hybrid camera with both Ethernet and BNC connections for network and analog video.

Each camera is equipped with Bosch's innovative Bilinx bi-directional communication for remote programming. Bilinx uses standard video cable to transmit alarm and status messages, providing superior performance and simplified installation.

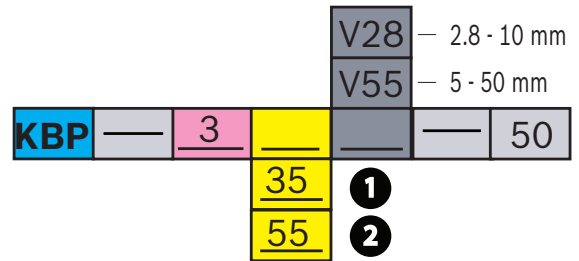
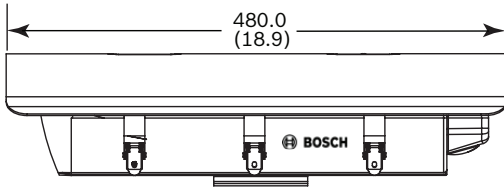
The true advantage of the Bosch prepackaged cameras lie with the plug-and-play design. Installation is quick and easy, since these units include a factory-installed camera and lens with adjusted back-focus - all of which are pre-wired through the housing base. Coax and power connectors are pre-wired at the end of the housing.

Everything about the KBP Series Prepackaged Cameras, from the installer-friendly design, coupled with the Dinion and Dinion^{XF} Series Cameras and a wide range of options make the KBP Series Prepackaged cameras an ideal solution for every surveillance requirement.

Certifications and Approvals

Electromagnetic Compatibility (EMC)	Complies with FCC Part 15, ICES-003 and CE Regulations
Product Safety	Complies with CE Regulations, UL, CSA, EN and IEC Standards

Installation/Configuration Notes



1/3-inch Monochrome Prepackaged Cameras

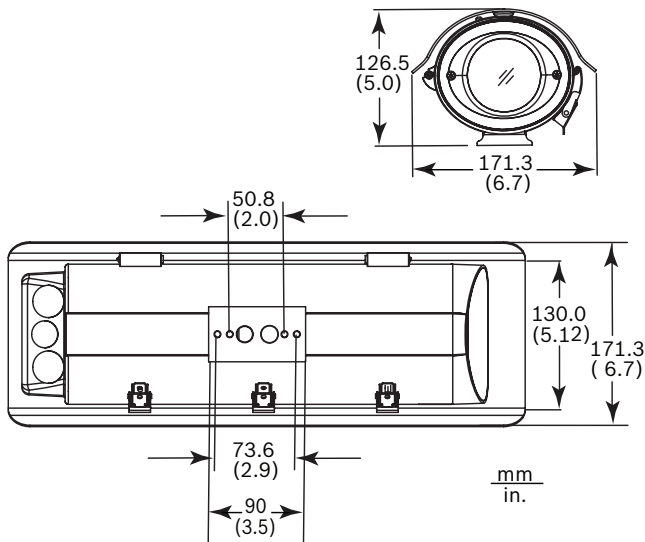


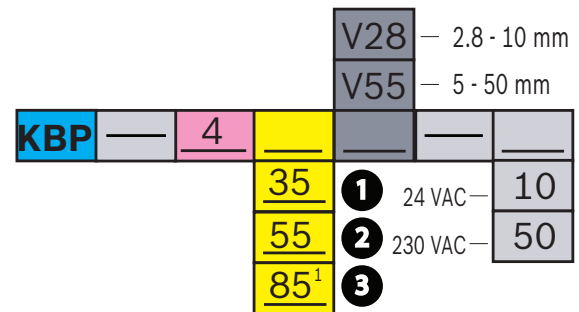
Figure: 1 Outdoor Models

Ordering Guide

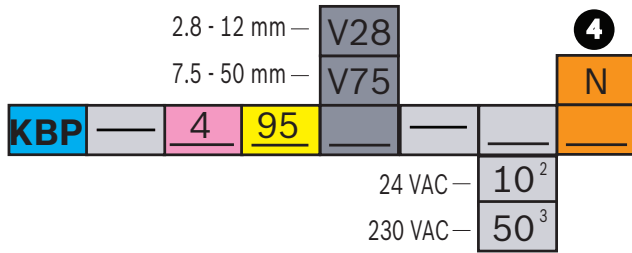
Use the following charts to create your order numbers.

Sample: KBP-495V75-50

KBP	Prepackaged Outdoor Model
495	1/3 in. High Resolution Day/Night
V75	7.5–50 mm Varifocal Lens
50	230 VAC, 50 Hz



1/3-inch Color Prepackaged Cameras



1/3-inch Day/Night High Resolution Prepackaged Cameras

Number	Reference
1	1/3 in. standard resolution
2	1/3 in. high resolution
3	1/3 in. high resolution, high sensitivity
4	"N" IP camera

NOTES

- 1 X85 model only available in 230 VAC, 50 Hz
- 2 24 VAC model only available for "N" models
- 3 230 VAC model only available for analog models

Technical Specifications

Cameras

Imager KBx-x35/55/85/95: Interline transfer CCD
1/3 in. format

	Active Picture Elements (H x V)	Horizontal Resolution
Monochrome		
KBx-335	512 x 582	380 TVL
KBx-355	752 x 582	570 TVL
Color		
KBx-435	500 x 582	330 TVL
KBx-455, KBx-485	752 x 582	540 TVL
Day/Night		
KBx-495	752 x 582	540 TVL

Sensitivity (3200 K)

	Full Video - lx	Usable Picture (50 IRE) - lx	Minimum Illumination - lx
Monochrome			
KBx-335	0.48 lx	0.12 lx	0.072 lx
KBx-355	0.36 lx	0.09 lx	0.054 lx
Color			
KBx-435	1.6 lx	0.39 lx	0.3 lx 0.12 lx
KBx-455	2.6 lx	0.65 lx	0.24 lx
NightSense		0.26 lx	0.10 lx
KBx-485	2.4 lx	0.59 lx	0.18 lx
NightSense		0.24 lx	0.08 lx
Day/Night			
KBx-495	2.4 lx	0.59 lx	0.24 lx
Monochrome		0.08 lx	0.038 lx
SensUp Color			0.024 lx
SensUp Monochrome			0.0038 lx

Sensitivity Up (495) Off, automatic continuous up to 10x

Synchronization

335/355/435/455	Line-lock, crystal-lock
485	Line-lock, crystal-lock, Genlock
495	Internal, line-lock, HV-lock, and Genlock (burst lock) selectable

White Balance

335/355	N/A
435/455	Auto (2500-9000)K
485/495	ATW Auto (2500-9000)K, AWB Hold, manual WB

Electronic Shutter

335/355/435/455	Automatic, 1/60 to 1/600,000 sec.
485	Auto (1/60 to 1/500,000 sec.), fixed, flickerless, default
495	Auto (1/60 to 1/500,000 sec.), fixed, flickerless, default

AGC

335/355/435/455	21 dB (max.)
485	28 dB (max.)
495/620	Auto (maximum level selectable to 28 dB) or fixed level selectable

Video Output

Signal-to-Noise Ratio	Composite video 1.0 Vp-p, 75 Ohm > 50 dB
-----------------------	---

XF-Dynamic (485, 495)

Range	32x dynamic range enhancement
Dynamic Noise Reduction	Auto, Off selectable
Contour	Sharpness enhancement level selectable
BLC	Off, area and level selectable
Gain	Auto (maximum level selectable to 28 dB) or fixed level selectable

Connections

Rear Connector Type	2x, 4-pin (power) BNC (video)
“N” Models	Ethernet: 10/100 Base-T, auto sensing half/full duplex, RJ-45

²Power supply input terminals are isolated from video output terminals.

IP “N” Models

Video Standards	MPEG-4; M-JPEG Video
Data Rate	9.6 Kbps – 6 Mbps constant & variable
Video Resolution	704 x 576/480 (4CIF: 25/30 IPS) 704 x 288/240 (2CIF: 25/30 IPS) 352 x 576/480 (Half D1: 25/30 IPS) 352 x 288/240 (CIF: 25/30 IPS) 176 x 144/120 (QCIF: 25/30 IPS)
Select. Frame Rate	1-25/30 IPS (PAL/NTSC); field/frame based coding
Network Protocols	RTP, Telnet, UDP, TCP, IP, HTTP, IGMP, ICMP
Software Update	Flash ROM, remote programmable
Configuration	Using web browser, built-in Web server interfaces

Power

KBP-xxvxx-50	198 to 254 VAC, 50 Hz, 50 W
KBP-xxvxx-10	21 to 28 VAC, 50 Hz, 45 W
“N” Models	PoE: IEEE 802.3af compliant (camera only; housing requires 40 W)

Mechanical**Housing**

Construction	Aluminum housing casing, neoprene gaskets, UV-resistant polymer end caps, and all stainless steel hardware
Finish	Gray
Window	3 mm (0.12 in.) Thick UV-stabilized polycarbonate
Mounting	Four (4), 8 mm (5/16 in.) diameter fasteners (not included) are required for mounting
Dimensions	See figure 1
Weight (approx.)	4.1 kg (9.04 lb)

Feed-through Mount

Max Load	9 kg (20 lb)
----------	--------------

Housing

Size	30 cm (12 in.)
Weight	0.4 kg (0.9 lb)

Environmental - Outdoor Models

Operating Temperature	External temperature –40°C to 50°C (–40°F to 122°F) Internal temperature –20°C and 55°C (–4°F to 131°F)
	“N” models External temperature –40°C to 46°C (–40°F to 116°F)
Humidity	0% to 93% relative, non-condensing
Enclosure Protection	IP66, NEMA-4X

Accessories

Heater/Blower	Included
Sunshield	Included
Wall Mount	Included
Pole Mount Adapter	LTC 9213/01

Ordering Information

KBC-335V28-50 Monochrome, 2.8–10 mm Varifocal Lens, Unity Camera Monochrome CCIR camera, 2.8–10 mm varifocal lens, 380 TVL, 230 VAC, 50 Hz	KBC-335V28-50
KBC355V2850 Monochrome, 2.8–10 mm Varifocal Lens, Unity Camera Monochrome CCIR camera, 2.8–10 mm varifocal lens, 570 TVL, 230 VAC, 50 Hz	KBC-355V28-50
KBC435V2850 Monochrome, 2.8–10 mm Varifocal Lens, Unity Camera Monochrome CCIR camera, 2.8–10 mm varifocal lens, 330 TVL, 230 VAC, 50 Hz	KBC-435V28-50
KBC440V3850 Color, 3.5–8 mm Varifocal Lens, Unity Camera Color PAL camera, 3.5–8 mm varifocal lens, 480 TVL, 230 VAC, 50 Hz	KBC-440V38-50
KBC455V2810N Color IP, 2.8–10 mm Varifocal Lens, Unity Camera IP color PAL camera, 2.8–10 mm varifocal lens, 480 TVL, 24 VAC, 50 Hz	KBC-455V28-10N
KBC455V2850 Color, 2.8–10 mm Varifocal Lens, Unity Camera Color PAL camera, 2.8–10 mm varifocal lens, 540 TVL, 230 VAC, 50 Hz	KBC-455V28-50
KBC495V2850 Day/Night, 2.8–11 mm Varifocal Lens, Unity Camera Day/Night PAL camera, 2.8–11 mm varifocal lens, 540 TVL, 230 VAC, 50 Hz	KBC-495V28-50

Ordering Information**KBP335V2850 Monochrome, 2.8–12 mm Varifocal Lens, Unity Camera** **KBP-335V28-50**

Monochrome CCIR camera, 2.8–12 mm varifocal lens, 380 TVL, 230 VAC, 50 Hz

KBP335V5550 Monochrome, 5–50 mm Varifocal Lens, Unity Camera **KBP-335V55-50**

Monochrome CCIR camera, 5–50 mm varifocal lens, 380 TVL, 230 VAC, 50 Hz

KBP355V2850 Monochrome, 2.8–12 mm Varifocal Lens, Unity Camera **KBP-355V28-50**

Monochrome CCIR camera, 2.8–12 mm varifocal lens, 570 TVL, 230 VAC, 50 Hz

KBP355V5550 Monochrome, 5–50 mm Varifocal Lens, Unity Camera **KBP-355V55-50**

Monochrome CCIR camera, 5–50 mm varifocal lens, 570 TVL, 230 VAC, 50 Hz

KBP435V2810 Color, 2.8–10 mm Varifocal Lens, Unity Camera **KBP-435V28-10**

Color PAL camera, 2.8–10 mm varifocal lens, 330 TVL, 24 VAC, 50 Hz

KBP435V2850 Color, 2.8–10 mm Varifocal Lens, Unity Camera **KBP-435V28-50**

Color PAL camera, 2.8–10 mm varifocal lens, 330 TVL, 230 VAC, 50 Hz

KBP435V5510 Color, 5–50 mm Varifocal Lens, Unity Camera **KBP-435V55-10**

Color PAL camera, 5–50 mm varifocal lens, 330 TVL, 24 VAC, 50 Hz

KBP435V5550 Color, 5–50 mm Varifocal Lens, Unity Camera **KBP-435V55-50**

Color PAL camera, 5–50 mm varifocal lens, 330 TVL, 230 VAC, 50 Hz

KBP455V2810 Color, 2.8–10 mm Varifocal Lens, Unity Camera **KBP-455V28-10**

Color PAL camera, 2.8–10 mm varifocal lens, 540 TVL, 24 VAC, 50 Hz

KBP455V2850 Color, 2.8–10 mm Varifocal Lens, Unity Camera **KBP-455V28-50**

Color PAL camera, 2.8–10 mm varifocal lens, 540 TVL, 230 VAC, 50 Hz

KBP455V5510 Color, 5–50 mm Varifocal Lens, Unity Camera **KBP-455V55-10**

Color PAL camera, 5–50 mm varifocal lens, 540 TVL, 24 VAC, 50 Hz

KBP455V5550 Color, 5–50 mm Varifocal Lens, Unity Camera **KBP-455V55-50**

Color PAL camera, 5–50 mm varifocal lens, 540 TVL, 230 VAC, 50 Hz

KBP485V2850 Color, 2.8–10 mm Varifocal Lens, Unity Camera **KBP-485V28-50**

Color PAL camera, 2.8–10 mm varifocal lens, 540 TVL, 230 VAC, 50 Hz

Ordering Information**KBP485V5550 Color, 5–50 mm Varifocal Lens, Unity Camera** **KBP-485V55-50**

Color PAL camera, 5–50 mm varifocal lens, 540 TVL, 230 VAC, 50 Hz

KBP495V2810N Day/Night IP, 2.8–12 mm Varifocal Lens, Unity Camera **KBP-495V28-10N**

Day/Night IP PAL camera, 2.8–12 mm varifocal lens, 540 TVL, 24 VAC, 50 Hz

KBP495V2850 Day/Night, 2.8–12 mm Varifocal Lens, Unity Camera **KBP-495V28-50**

Day/Night PAL camera, 2.8–12 mm varifocal lens, 540 TVL, 230 VAC, 50 Hz

KBP495V7510N Day/Night IP, 7.5–50 mm Varifocal Lens, Unity Camera **KBP-495V75-10N**

Day/Night IP PAL camera, 7.5–50 mm varifocal lens, 540 TVL, 24 VAC, 50 Hz

KBP495V7550 Day/Night, 7.5–50 mm Varifocal Lens, Unity Camera **KBP-495V75-50**

Day/Night PAL camera, 7.5–50 mm varifocal lens, 540 TVL, 230 VAC, 50 Hz

Americas:

Bosch Security Systems, Inc.
130 Perinton Parkway
Fairport, New York, 14450, USA
Phone: +1 800 289 0096
Fax: +1 585 223 9180
security.sales@us.bosch.com
www.boschsecurity.us

Europe, Middle East, Africa:

Bosch Security Systems B.V.
P.O. Box 80002
5600 JB Eindhoven, The Netherlands
Phone: +31 40 2577 284
Fax: +31 40 2577 330
emea.securitysystems@bosch.com
www.boschsecurity.com

Asia-Pacific:

Bosch Security Systems Pte Ltd
38C Jalan Pemimpin
Singapore 577180
Phone: +65 6319 3450
Fax: +65 6319 3499
apr.securitysystems@bosch.com
www.boschsecurity.com

Represented by