


BOSCH

Invented for life

VBC-420Z27 All-in-One 27x Optical Zoom Camera



- ▶ **Built-in 27x optical zoom lens**
- ▶ **Built-in DC Iris varifocal lens (2.8 to 10.5 mm)**
- ▶ **Auto focus / Auto iris**
- ▶ **Day/night performance with switchable filter**
- ▶ **DNR function to reduce noise**

The VBC-420Z27-O Day/Night camera is a high performance, smart, surveillance camera.

The camera is easy to install and ready to use, and offers the best solution for demanding scene conditions. The day/night feature ensures the highest image quality possible at any time. Depending on the available light, the camera automatically switches from color to monochrome. It is especially useful where you need to capture images under highly variable lighting conditions with 3D-DNR function.

The built-in 27x optical zoom lens combined with the 10x digital zoom enables you to magnify objects 270 times. The auto focus and auto iris features ensure a clear image without loss of picture quality.

System Overview

High resolution

The horizontal resolution of minimum 540 TVL is achieved by using a high-density CCD having 410K effective pixels, which provides clean, noiseless and reliable pictures.

With the built-in power zoom lens, objects can be magnified up to 270 times with be 27x optical zoom and 10x digital zoom.

Intelligent control circuits with DSP

Advanced digital signal processor (DSP) technology automatically adjusts functions such as iris and white balance to ensure a flexibly adaptation to environmental conditions.

The Digital Slow Shutter feature allows full color surveillance under very low lighting conditions (0.0005 lx at x128 Field).

Control interfaces

The On-Screen Display menu allows easy access to all the functions of the camera.

Remote control operations are possible through the RS-485 interface for the control of focus and zoom. In addition, the unit lets you control white balance and exposure manually using the RS-485 interface. Supported protocols include Pelco-D, Pelco-P and a default protocol.

Motion detection

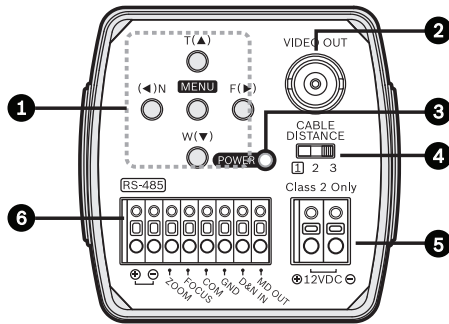
The motion detection function can be set up to trigger an alarm when movement occurs in an area of the image. The area and the sensitivity can be selected in the menu system.

Privacy masking

Four different privacy zones allow specific parts of a scene to be blocked. A mask for any part of the scene can be pre-programmed.

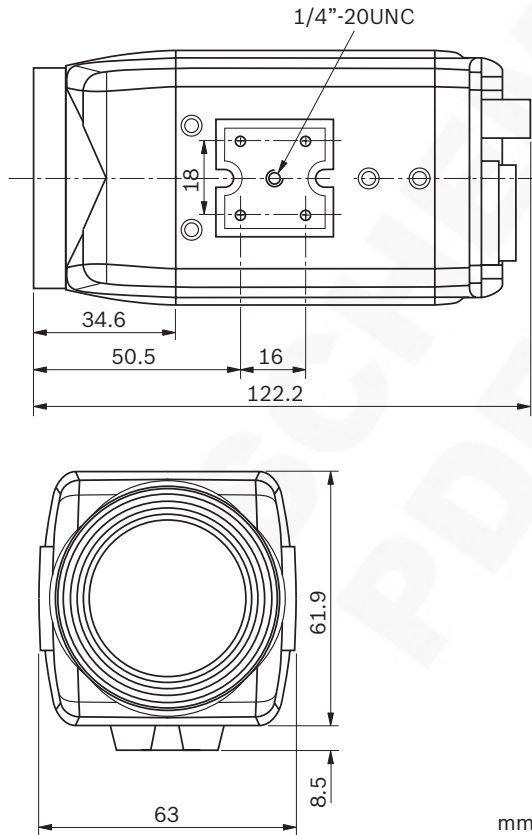
Installation/Configuration Notes

Connections



- 1 Menu selection buttons
- 2 BNC Video output connector
- 3 Power indication LED
- 4 Cable compensation switch
- 5 Power input connector
- 6 Control connector

Dimensions



Technical Specifications

Scanning System	2:1 interlace
Horizontal Scanning Frequency	15.625 kHz
Vertical Scanning Frequency	50 Hz
Image Sensor	1/4-inch IT CCD
Total Pixels	795(H) x 596(V) 470K
Effective Pixels	752(H) x 582(V) 440K
Horizontal Resolution	540 TVL (min.)
S/N Ratio	greater than 50 dB (AGC off)
Lens	27x Zoom Video AF F1.6(W), F3.7(T) f = 3.6 to 97.2 mm
Angle of View (HOR)	55.21° to 2.12°
Minimum Illumination (30IRE)	Day Mode: 0.5 lx Night Mode: 0.1 lx DSS (128FLD) Mode: 0.0005 lx
Synchronization	Internal
Signal Output	1 Vpp Composite output with 75 Ohm Terminated
Power Consumption	12 VDC (9V~15V), Max. 4.8 W / 400 mA
Dimensions (WxHxD)	63 x 61.9 x 122.2 mm
Weight	325 g approx.

Ordering Information

VBC-420Z27-0 All-in-One 27x Optical Zoom Camera **VBC-420Z27-0**
 27x optical zoom, Day/Night, high performance camera

Americas:
 Bosch Security Systems, Inc.
 130 Perinton Parkway
 Fairport, New York, 14450, USA
 Phone: +1 800 289 0096
 Fax: +1 585 223 9180
 security.sales@us.bosch.com
 www.boschsecurity.us

Europe, Middle East, Africa:
 Bosch Security Systems B.V.
 P.O. Box 80002
 5600 JB Eindhoven, The Netherlands
 Phone: + 31 40 2577 284
 Fax: +31 40 2577 330
 emea.securitysystems@bosch.com
 www.boschsecurity.com

Asia-Pacific: **Represented by**
 Robert Bosch (SEA) Pte Ltd, Security Systems
 11 Bishan Street 21
 Singapore 573943
 Phone: +65 6258 5511
 Fax: +65 6571 2698
 apr.securitysystems@bosch.com
 www.boschsecurity.com