



**For Security
Zoom**

Applicable camera (model)

1 2/3 1/2 1/3 1/4

D12x8A-YE2

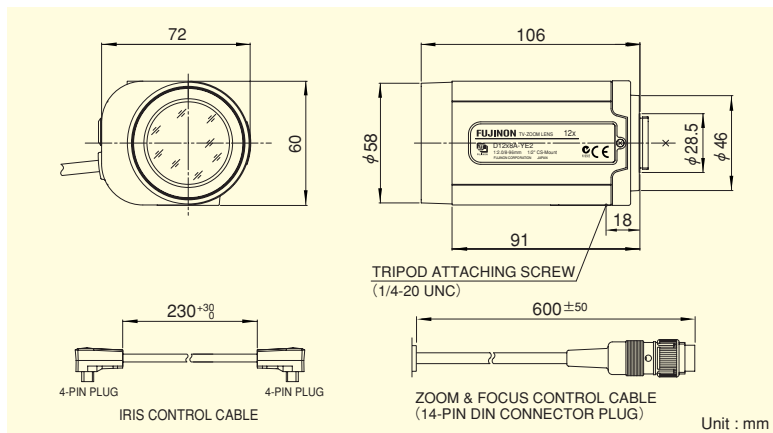
12x



*Photograph is a similar model.

- High standard zoom lens with excellent cost performance.
- Multi power compatibility (6V, ±6V, 12V, ±12V), use with existing control systems.
- Built-in potentiometer, supporting the preset-enabled specification.
- Built-in ND filter of T400, supporting high sensitivity cameras

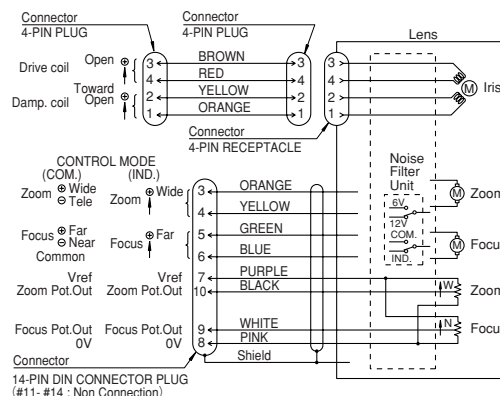
ZOOM Zoom
 WIDE Wide Angle
 TELE Telephoto Long Focal
 MOTOR DRIVE Motor Drive
 DC DC Auto Iris
 CS-mt CS Mount
 METAL Metal Mount
PRESET Potentiometer
ND ND Filter



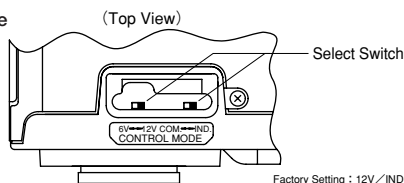
ZOOM LENSES

Focal Length (mm)		8~96 (12x)	
Iris Range		F2.0 ~ T400 (Equivalent to F400)	
Operation	Zoom	Motor Drive	
	Focus	Motor Drive	
	Iris	Auto (DC Type) (*1)	
Angle Of View (HxV)	1/2"	WIDE	43°36' X 33°24'
		TELE	3°49' X 2°52'
	1/3"	WIDE	33°24' X 25°22'
		TELE	2°52' X 2°09'
	1/4"	WIDE	25°22' X 19°09'
		TELE	2°09' X 1°37'
Focusing Range (From Front Of The Lens) (m)		∞ ~ 1.3	
Object Dimensions at M.O.D. (HxV) (mm)	1/2"	WIDE	1003 X 753
		TELE	84 X 63
	1/3"	WIDE	752 X 565
		TELE	63 X 47
1/4"	WIDE	564 X 424	
	TELE	47 X 35	
Back Focal Distance (in air) (mm)		16.22	
Exit Pupil Position (From Image Plane) (mm)		-51	
Filter Thread (mm)		M55 X 0.75	
Mount		CS	
Mass (g)		350	
Coil Resistance		Drive Coil	180Ω
		Damping Coil	720Ω
Current Consumption		22mA (Max.) at DC 4V	
Standard Accessories		Iris Control Cable	
Remarks		• With Metal Mount (*1) When power is turned off, iris will automatically be closed.	

Wiring



Control Mode



Controller output	Select switch position
6V	6V / IND.
±6V	6V / COM.
12V	12V / IND.
±12V	12V / COM.

Accessories

Close-up Lens

Product Name		CL3355 (M55x0.75mm fc=333mm)	CL10055 (M55x0.75mm fc=1000mm)
Imaging Area (mm)		333~250	1000~500
Object Dimensions (mm)	1/2"	WIDE	204X153
		TELE	17X13
	1/3"	WIDE	153X115
		TELE	13X10
	1/4"	WIDE	115X86
		TELE	10X7