



**For Security  
Zoom**

Applicable camera (model)

# D16x7.3A-M41

1	2/3	1/2	1/3	1/4
---	-----	-----	-----	-----

**ZOOM**  
Zoom

**WIDE**  
Wide Angle

**TELE**  
Telephoto  
Long Focal

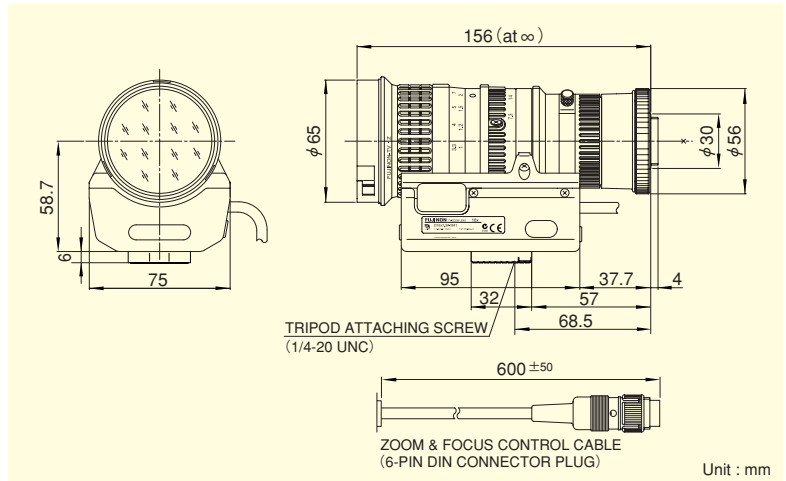
**MOTOR DRIVE**  
Motor Drive

**REMOTE**  
Remote Iris

**C-mt**  
C Mount

**METAL**  
Metal Mount

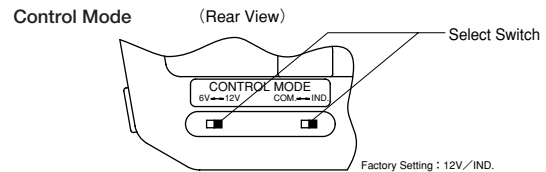
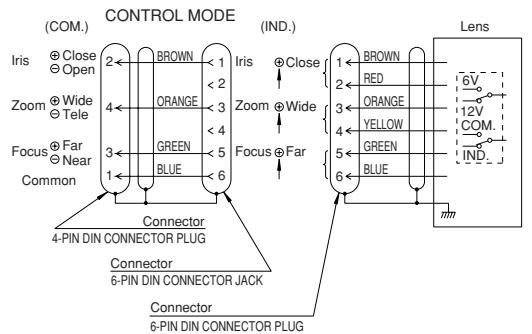
**16x**



- High-power zoom lens covering wide angle and telephoto.
- Multi power compatibility (6V, ±6V, 12V, ±12V), for use with existing control systems.

Focal Length (mm)		7.3~117 (16x)	
Iris Range		F1.9 ~ F16 • Close	
Operation	Zoom	Motor Drive	
	Focus	Motor Drive	
	Iris	Motor Drive	
Angle Of View (H×V)	1/2"	WIDE	47°20' × 36°24'
		TELE	3°08' × 2°21'
	1/3"	WIDE	36°24' × 27°42'
		TELE	2°21' × 1°46'
	1/4"	WIDE	27°42' × 20°57'
		TELE	1°46' × 1°19'
Focusing Range (From Front Of The Lens) (m)		∞ ~ 1	
Object Dimensions at M.O.D. (H×V) (mm)	1/2"	WIDE	823 × 617
		TELE	51 × 39
	1/3"	WIDE	617 × 464
		TELE	39 × 29
	1/4"	WIDE	464 × 348
		TELE	29 × 22
Back Focal Distance (in air) (mm)		19.5	
Exit Pupil Position (From Image Plane) (mm)		220	
Filter Thread (mm)		M62 × 0.75	
Mount		C	
Mass (g)		900	
Standard Accessories		Conversion Cable (6-pin→4-pin) Connection Connector (4-pin, 6-pin)	
Remarks		• With Metal Mount	

## Wiring



Controller output	Select switch position	Conversion cable (Standard accessory)
6V	6V / IND.	Not necessary
±6V	6V / COM.	Necessary
12V	12V / IND.	Not necessary
±12V	12V / COM.	Necessary

## Accessories

### Extender

Product Name	Magnification
HE15-1	1.5X
HE20-1	2X

### Control Unit

Product Name	CRD-2A	CRD-2B
Operation	Zoom, Focus, Iris	
Power Source	AC 100V/120V/220V/240V 50/60Hz	

### AC Power Cord

Japan	PCA-1
U.S.A./Canada	PCA-2
Continental Europe	PCA-3
Australia	PCA-4
Without AC Plug	PCA-5

### Extension Cable

CRD-2A	CEC-AA102-11 (10m)
	CEC-AA202-11 (20m)
CRD-2B	CEC-AB102-11 (10m)
	CEC-AB202-11 (20m)

ZOOM LENSES