



For Surveillance  
Telephoto Zoom

MP MEGA PIXELS

D32x10HR4D-YE1

Applicable camera (model)

1	2/3	1/2	1/3	1/4
---	-----	-----	-----	-----

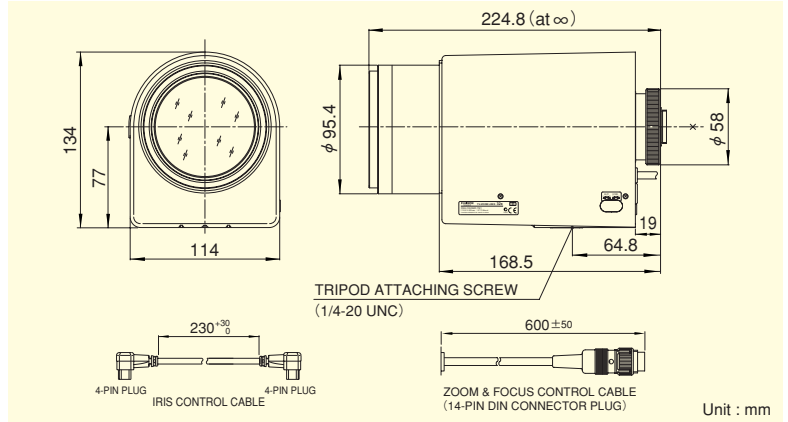
32x



\*Photograph is a similar model.

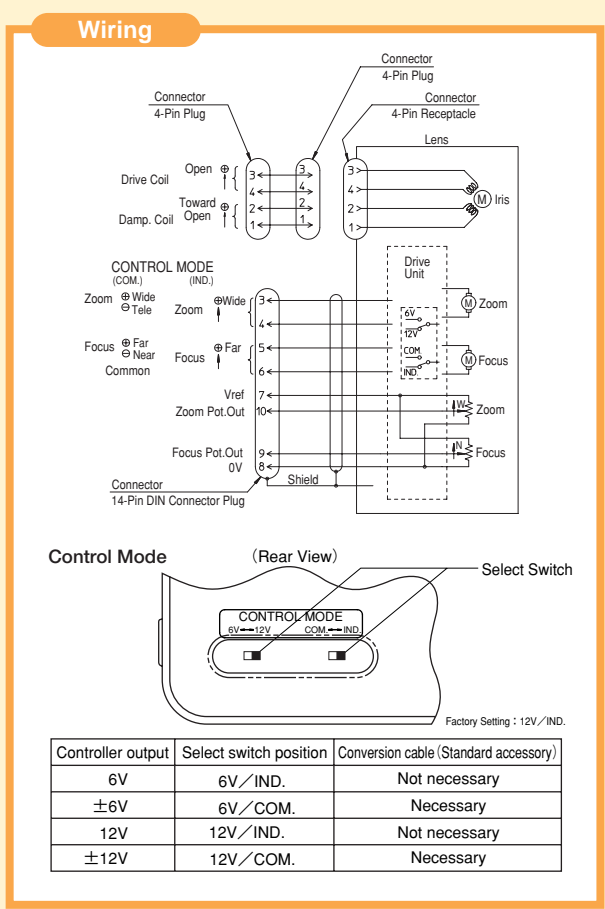
- Optically corrected 32x telephoto zoom lens best suited for day and night cameras.
- High-resolution design, providing support for up to 1.3 megapixel camera resolution.
- Realized a light and compact design for condensed system.
- Multi-power compatibility for connection to existing surveillance systems for zoom operation.

<b>ZOOM</b> Zoom	<b>WIDE</b> Wide Angle	<b>TELE</b> Telephoto Long Focal	<b>MOTOR DRIVE</b> Motor Drive	<b>Day~Night</b> Day ~ Night	<b>1.3 Mega</b> For Megapixel Camera	<b>DC</b> DC Auto Iris
<b>C-mt</b> C Mount	<b>METAL</b> Metal Mount	<b>PRESET</b> Potentiometer	<b>ND</b> ND Filter	<b>RoHS</b> RoHS Compliant		



TELEPHOTO ZOOM LENSES MP

Focal Length (mm)		10~320 (32x)	
Iris Range		F2.5 ~ T1500 (Equivalent to F1500)	
Operation	Zoom	Motor Drive	
	Focus	Motor Drive	
	Iris	Auto (DC) (*1)	
Angle Of View (H×V)	1/2"	WIDE	35°29' × 26°59'
		TELE	1°09' × 0°52'
	1/3"	WIDE	26°59' × 20°24'
		TELE	0°52' × 0°39'
	1/4"	WIDE	20°24' × 15°23'
		TELE	0°39' × 0°29'
Focusing Range (From Front Of The Lens) (m)		∞ ~ 3	
Object Dimensions at M.O.D. (H×V) (mm)	1/2"	WIDE	1746 × 1310
		TELE	57 × 43
	1/3"	WIDE	1310 × 982
		TELE	43 × 32
	1/4"	WIDE	982 × 737
		TELE	32 × 24
Back Focal Distance (in air) (mm)		22.70	
Exit Pupil Position (From Image Plane) (mm)		-53	
Filter Thread (mm)		M82 × 0.75	
Mount		C	
Mass (kg)		2.5	
Standard Accessories		Iris Control Cable Connection Connector (14-pin)	
Remarks		• With Metal Mount (*1) When power is turned off, iris will automatically close.	



### Accessories

#### Extender

Model	Magnification
HE15-1	1.5X
HE20-1	2X