

1/2" VARI-FOCAL

Vari-Focal
Manual

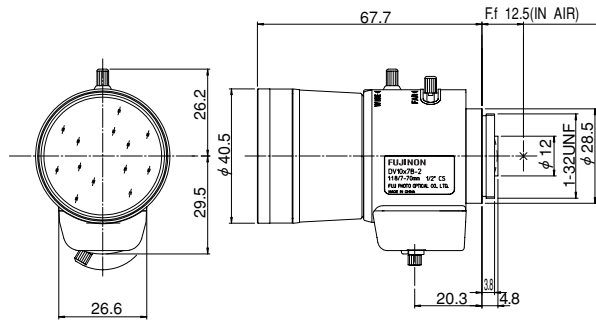
FUJINON CCTV LENS

DV10×7B-2

Using
Aspherical Lens



※Photograph is a similar model.



Unit : mm

Model		DV10 × 7B-2	
Focal Length		7mm ~ 70mm (10×)	
Iris Range		F1.8 ~ Close	
Operation	Iris	Manual	
	Focus	Manual	
	Zoom	Manual	
Angle Of View (H × V)	1/2"	Wide	50°01' × 38°12'
		Tele	5°12' × 3°59'
	1/3"	Wide	38°12' × 28°56'
		Tele	3°59' × 3°02'
	1/4"	Wide	28°56' × 21°49'
		Tele	3°02' × 2°17'
Focusing Range (From Front Of The Lens)		∞ ~ 0.3m	
Object Dimensions at M.O.D. (H × V)	1/2"	Wide	301mm × 223mm
		Tele	60mm × 46mm
	1/3"	Wide	223mm × 166mm
		Tele	46mm × 35mm
	1/4"	Wide	166mm × 124mm
		Tele	35mm × 26mm
Back Focal Distance (in air)		7.9mm	
Exit Pupil Position (From Image Plane)		-62mm	
Filter Thread		—	
Mount		CS Mount	
Mass		95g	
Remarks		• With Metal Mount	