

For Security

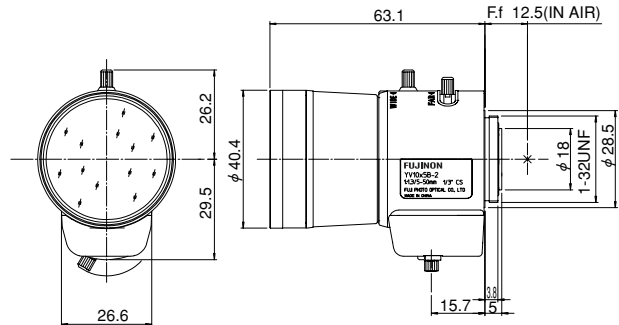
1/2" VARI-FOCAL

Vari-Focal
Manual

FUJINON CCTV LENS

YV10×5B-2

Using
Aspherical Lens



Unit : mm

Model		YV10 × 5B-2	
Focal Length		5mm ~ 50mm (10×)	
Iris Range		F1.3 ~ Close	
Operation	Iris	Manual	
	Focus	Manual	
	Zoom	Manual	
Angle Of View (H × V)	1/3"	Wide	51°59' × 39°12'
		Tele	5°24' × 4°05'
	1/4"	Wide	39°12' × 29°30'
		Tele	4°05' × 3°05'
Focusing Range (From Front Of The Lens)		∞ ~ 0.3m	
Object Dimensions at M.O.D. (H × V)	1/3"	Wide	315mm × 230mm
		Tele	62mm × 47mm
	1/4"	Wide	230mm × 170mm
		Tele	47mm × 35mm
Back Focal Distance (in air)		10.83mm	
Exit Pupil Position (From Image Plane)		292mm	
Filter Thread		—	
Mount		CS Mount	
Mass		95g	
Remarks		• With Metal Mount	