

For Security

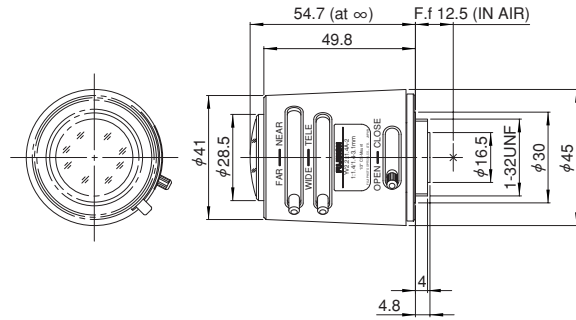
1/3" VARI-FOCAL

Vari-Focal
Manual

FUJINON CCTV LENS

YV2.2×1.4A-2

Using
Apspherical Lens



Unit : mm

Model		YV2.2 × 1.4A-2	
Focal Length		1.4mm ~ 3.1mm (2.2x)	
Iris Range		F1.4 ~ Close	
Operation	Iris	Manual	
	Focus	Manual	
	Zoom	Manual	
Angle Of View (H × V)	1/3"	Wide	185° (φ 3.45)
		Tele	94°47' × 69°26'
	1/4"	Wide	121° (φ 2.7)
		Tele	69°26' × 51°30'
Focusing Range (From Front Of The Lens)		∞ ~ 0.2m	
Object Dimensions at M.O.D. (H × V)	1/3"	Wide	—
		Tele	448mm × 287mm
	1/4"	Wide	—
		Tele	287mm × 200mm
Back Focal Distance (in air)		7.82mm	
Exit Pupil Position (From Image Plane)		-45mm	
Filter Thread		—	
Mount		CS Mount	
Mass		70g	
Remarks			