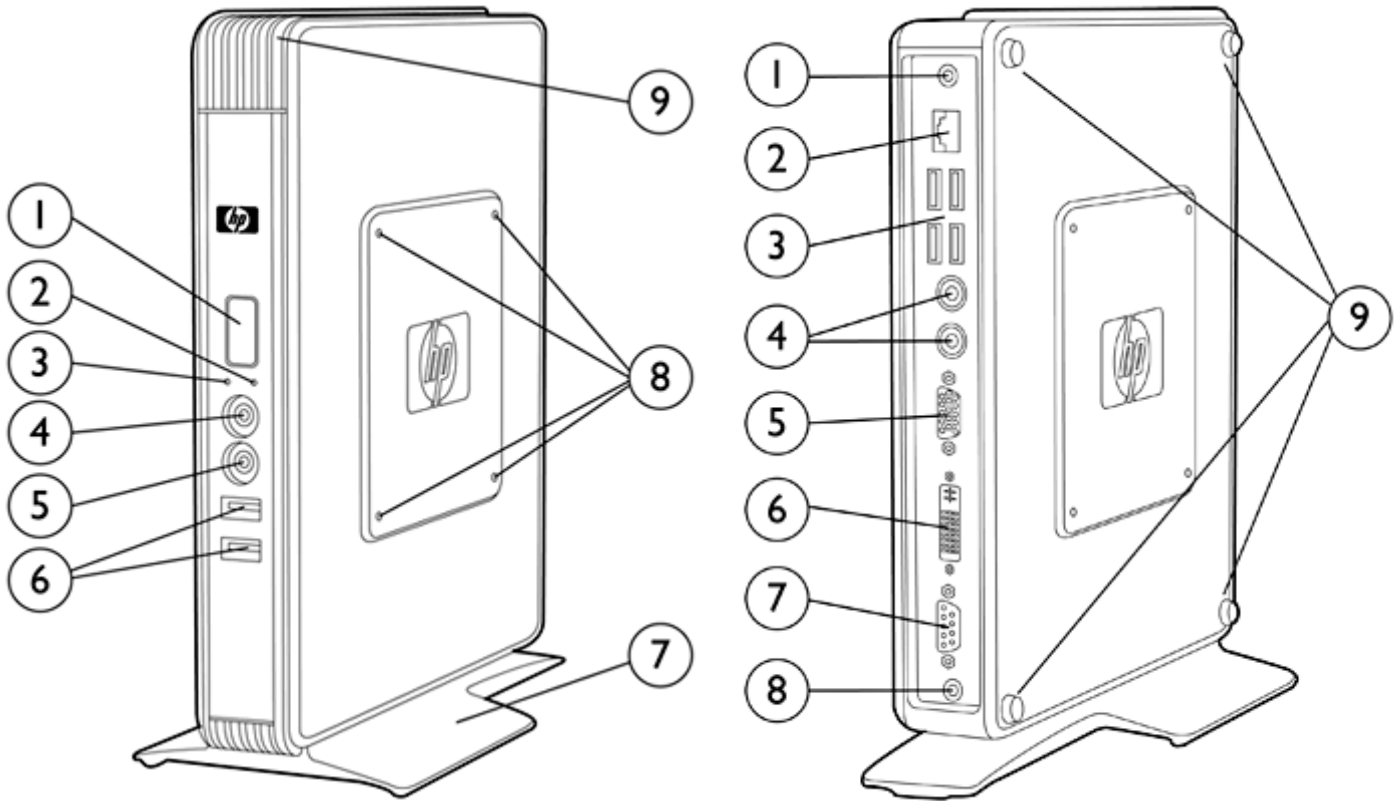


Overview



Front

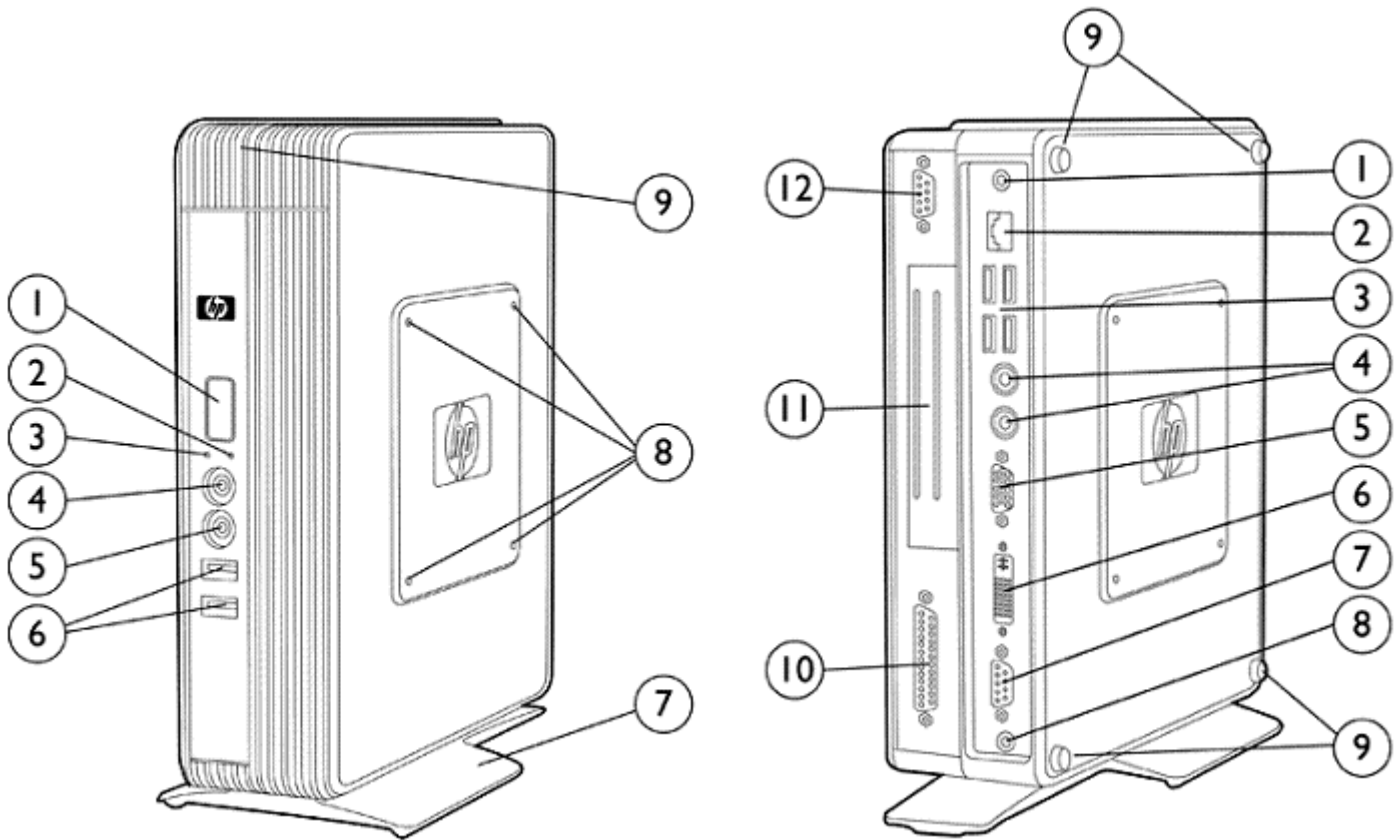
Back

1. Power button
2. Power on indicator
3. Flash activity indicator
4. Audio connector (headphone/speaker out)
5. Audio connector (mic in)
6. USB connectors (two)
7. Removable stand for vertical orientation
8. Mounting points for HP Quick Release
9. Secure USB compartment

1. Audio out
2. Ethernet RJ-45 connector
3. USB connectors (four)
4. PS/2 connectors (two)
5. VGA monitor connector
6. DVI-D monitor connector
7. Serial connector
8. +12V DC power input
9. Feet for horizontal orientation (four)

Overview

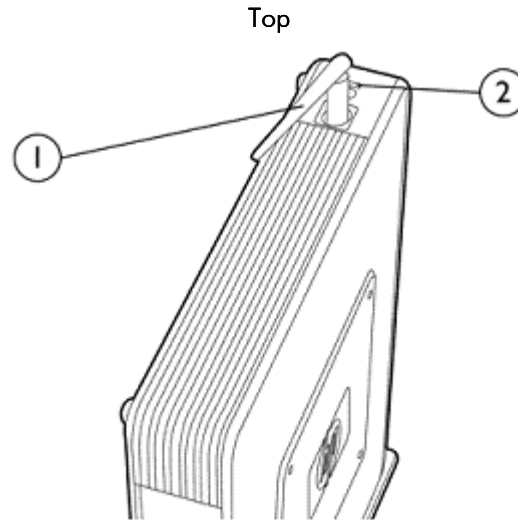
with optional t5730/t5735 Expansion Module Kit



1. Power button
2. Power on indicator
3. Flash activity indicator
4. Audio connector (headphone/speaker out)
5. Audio connector (mic in)
6. USB connectors (two)
7. Removable stand for vertical orientation
8. Mounting points for HP Quick Release
9. Secure USB compartment

1. Audio out
2. Ethernet RJ-45 connector
3. USB connectors (four)
4. PS/2 connectors (two)
5. VGA monitor connector
6. DVI-D monitor connector
7. Serial connector
8. +12V DC power input
9. Feet for horizontal orientation (four)
10. Parallel connector
11. PCI/PCIe slot access
12. Second serial connector

Overview



1. Wireless antenna (option)
2. Cable lock slot

At A Glance

- AMD Sempron 2100+ 1 GHz processor for leading performance
- 1 GB flash memory provides ample storage for drivers and applications
- Up to 1 GB system memory (32 MB reserved for graphics memory)
- XP Embedded OS with support for local applications including custom applications
- Enhanced Write Filter and HP Sygate Security Agent for enhanced data security
- Flexibility in choice of options and peripherals
- Administrator-enabled customization
- Active Directory compliant access device
- Windows XP security feature support (apps/HW)
- Powerful ATI Radeon X1250 graphics supporting a broad range of HP monitors including widescreens and touch screens
- Built in dual monitor support (VGA and DVI-D native)
- Integrated wireless technology (select models)
- Optional Expansion Module with PCI and PCI Express x1 for installing a wide range of devices (includes a parallel and second serial port)
- Secure USB compartment is ideal for protecting USB wireless and USB Flash devices
- Legacy support includes parallel (via Expansion Module), serial, and PS/2 connections, along with eight USB 2.0 ports
- Protected by Hewlett-Packard Services, including a limited three-year mail-in warranty (certain restrictions and exclusions apply)

Standard Features - Models

| | | |
|---|-----------------------------------|--|
| KD219AA#XXX (standard) | Processor | AMD Sempron 2100+, 1 GHz |
| | Operating System | Microsoft Windows XP Embedded, Service Pack 2 |
| KD219AT#XXX (Top Value/Smart Buy) | Flash Memory | 1 GB |
| | Memory | 512 MB DDR-2 SODIMM NOTE: 32 MB reserved for graphics memory |
| GY366AA#XXX (TAA compliant) ¹ | Graphics | ATI Radeon X1250 graphics |
| | Browser | Microsoft Internet Explorer 7.0 |
| | Client Management Software | Altiris Deployment Solution (full license), HP Openview Client Configuration Manager (Basic Edition), and HP ThinState included with each thin client. |
| | Terminal Personalities | Standard |
| | Keyboard | USB or PS/2 Type of included keyboard (USB or PS/2) varies by region. |
| | Mouse | USB or PS/2 Type of included mouse (USB or PS/2) varies by region. |

| | | |
|---|-----------------------------------|--|
| GY227AA#XXX (standard) | Processor | AMD Sempron 2100+, 1 GHz |
| | Operating System | Microsoft Windows XP Embedded, Service Pack 2 |
| GY227AT#XXX (Top Value/Smart Buy) | Flash Memory | 1 GB |
| | Memory | 1 GB DDR-2 SODIMM NOTE: 32 MB reserved for graphics memory |
| GY367AA#ABA (TAA compliant) ¹ | Graphics | ATI Radeon X1250 graphics |
| | Browser | Microsoft Internet Explorer 7.0 |
| | Client Management Software | Altiris Deployment Solution (full license), HP Openview Client Configuration Manager (Basic Edition), and HP ThinState included with each thin client. |
| | Terminal Personalities | Standard |
| | Keyboard | USB or PS/2 Type of included keyboard (USB or PS/2) varies by region. |
| | Mouse | USB or PS/2 Type of included mouse (USB or PS/2) varies by region. |

| | | |
|---|-----------------------------------|--|
| US and Canada GY228AA#XXX KH995AA#XXX (Smart Buy) | Processor | AMD Sempron 2100+, 1 GHz |
| | Operating System | Microsoft Windows XP Embedded, Service Pack 2 |
| (Europe, Middle East, Africa, Asia Pacific) GY229AA#XXX | Flash Memory | 1 GB |
| | Memory | 512 MB DDR-2 SODIMM NOTE: 32 MB reserved for graphics memory |
| GY230AA#XXX (Japan only) | Graphics | ATI Radeon X1250 graphics |
| | Integrated Wireless | Broadcom 4311BG 802.11 B/G WIFI adapter |
| | Browser | Microsoft Internet Explorer 7.0 |
| | Client Management Software | Altiris Deployment Solution (full license), HP Openview Client Configuration Manager (basic edition), and HP ThinState included with each thin client. |
| | Terminal Personalities | Standard |

Standard Features - Models

| | |
|-----------------|--|
| Keyboard | USB or PS/2 Type of included keyboard (USB or PS/2) varies by region. |
| Mouse | USB or PS/2 Type of included mouse (USB or PS/2) varies by region. |

¹Product complies with U.S. Trade Agreement (TAA). Available in U.S. only.

Options

| | | Part Number |
|------------------------------------|--|-----------------|
| Accessories | HP t5730/t5735 Expansion Module | GZ286AA |
| | HP Quick Release Kit | EM870AA |
| | HP/Kensington Cable Lock | PC766A |
| Communications ¹ | Modem Serial – Zoom 3049 56K v.92 Ext. ² | 3049-00-00 |
| | Wireless PCI – Cisco Aironet PCI ² | AIR-PI21AG-A-K9 |
| | Wireless USB – Belkin USB Wireless 802.11b/g ² | HP-4050 |
| Input Devices | HP PS/2 Standard Keyboard | DT527A |
| | HP USB Standard Keyboard | DT528A |
| | HP USB Smartcard Keyboard | ED707AA |
| | HP PS/2 2-Button Optical Mouse | EY703AA |
| | HP USB 2-Button Optical Scroll Mouse | DC172B |
| Monitors ³ | ELO Touch 1529L Flat Panel – USB/serial combo ^{2,4} | E926109 |
| | HP L5006tm LCD Touchscreen – USB/serial combo | RB146AA |
| Graphics | Matrox EpicA TC4 ² | EPI-TC4P128LPAF |
| | Matrox EpicA TC2 ² | EPI-TC2P64LPAF |
| Memory | Apacer 2 GB Flash Module ² | AH430AA |
| Security | HP USB Smartcard Keyboard | ED707AA |
| | SCM USB Smart Card Reader SCR331 ² | 904054 |
| | HP/Kensington Cable Lock | PC766A |
| Storage | Apacer 2 GB Disk on Key (DOK) ² | AP-HHR2009D2G |
| | External USB 2.0 Multibay II Cradle | PA509A |
| | Multibay II DVD Drive (Does not support DVD play back) | PA849A |

Options

| | | |
|-------------------------|---|--------------------------------|
| Care Packs ⁵ | 9x5 Next-Business-Day Advanced Exchange - 3 Years | 331653-001;U4847E ⁶ |
| | 9x5 Next-Business-Day On-Site Coverage - 3 Years | 331655-001;U4849E ⁶ |
| | Hardware Installation | 331686-001;U4865E |

¹Wireless functionality is not supported for roaming environments. Thin client must be stationary for wireless device to properly function. A standard WLAN (Wi-Fi) infrastructure with wireless access points is required and is not included.

²Option and support is available directly from third party.

³For a complete list of monitors compatible with HP Compaq thin clients, it is important to cross-reference the supported video resolutions of the HP Compaq thin client to the supported resolutions of the monitor. Most HP monitors have one or more supported resolutions that match HP Compaq thin client products.

⁴Only serial is supported.

⁵Service levels and response times for HP Care Packs may vary depending on your geographic location. Restrictions and limitations apply. For details, visit www.hp.com/go/carepack.

⁶U4847E is available in all regions; U4849E is available in Americas and Asia-Pacific/Japan.

Technical Specifications

Possible Memory Configurations

| | |
|---------------------|----------------------------|
| Flash Memory | Memory Slot (DDR-2) |
| 1 GB | 512 MB |
| 1 GB | 1 GB |

| | | |
|---|--|---|
| Processor | AMD Sempron 2100+, 1 GHz | |
| Memory | Flash Memory | 1 GB |
| | System Memory | 512 MB or 1 GB DDR-2 SODIMM NOTE: 32 MB reserved for graphics memory |
| Graphics | ATI Radeon X1250 graphics with support for high-resolution monitors up to 2048 x 1536, or up to 32 bit color depth | |
| | Mode | Color depth |
| | 640 x 480 | 8/16/32bit |
| | 800 x 600 | 8/16/32bit |
| | 848x480 | 8/16/32bit |
| | 1024x480 | 8/16/32bit |
| | 1024 x 768 | 8/16/32bit |
| | 1280x720 | 8/16/32bit |
| | 1280x768 | 8/16/32bit |
| | 1280 x 1024 | 8/16/32bit |
| | 1360x768 | 8/16/32bit |
| | 1368x768 | 8/16/32bit |
| | 1400x1050 | 8/16/32bit |
| | 1600 x 1200 | 8/16/32bit |
| | 1680x1050 | 8/16/32bit |
| | 1920x1080 | 8/16/32bit |
| | 1920 x 1200 | 8/16/32bit |
| 2048 x 1536 | 8/16/32bit | |
| Input/Output/ Peripheral Support | Keyboard | USB or PS/2 Keyboard included with every thin client. Type of included keyboard (USB or PS/2) varies by region. |
| | Mouse | USB or PS/2 (both supported) Mouse included with every thin client. Type of included mouse (USB or PS/2) varies by region. |
| | Printer | Local and/or network printers (RDP, ICA, LPD) as per the printer support statement. |
| | Video | ATI Radeon X1250 graphics |
| | Audio | Output |
| Input | | 1/8-inch mini microphone |
| Security | Security lock slot (cable lock sold separately) HP Sygate Security Agent Support for Smart Card options | |

Technical Specifications

| | | |
|--|--|--|
| Terminal Server Protocols and Session Brokers | Citrix ICA 10.x Program Neighborhood Microsoft RDP 6.0 TeemTalk (Terminal Emulation software) HP PC Session Allocation Manager Software for the Consolidated Client Infrastructure Citrix Desktop Broker for Virtual Desktop Infrastructure | |
| Networking | 10/100/1000 Gigabit Ethernet (RJ-45) TCP/IP with DNS and DHCP Point-to-Point Protocol (PPP), Direct Connection through RS-232, Point-to-Point over Ethernet (PPPoE), Point-to-Point Tunneling Protocol (PPTP), Layer-2 Tunneling Protocol (L2TP), Wake on LAN (WOL), PXE Server Network Time Protocol (SNTP) Simple Network Management Protocol (SNMP) | |
| I/O ports and connectors | Eight USB 2.0 ports (two in front, four in rear, two in secure USB compartment), 1 VGA, 1 DVI-D, 2 PS/2, 1 serial, 1 RJ-45, and 1 optional Expansion Module with PCI and PCIe x1 including 1 parallel and second serial port | |
| Resident Operating System | Microsoft Windows XP Embedded, Service Pack 2 | |
| Server OS Compatibility/Support | Citrix Presentation Server (up to 4.5) Citrix Metaframe Presentation Server 3.0, Citrix Metaframe XP Presentation Server Citrix Metaframe 1.x Windows 2000/2003 Server families, Windows 2000/2003 Server Terminal Services Windows 2000 Advanced Server, Windows 2000 Advance Server Terminal Services Microsoft® Windows® NT 4.0 Server, Windows NT 4.0 Terminal Server Edition VMware Virtual Desktop Infrastructure using RDP | |
| Software Included | Microsoft Windows XP Embedded Microsoft Internet Explorer 7.0 HP Sygate Security Agent Altiris Deployment Solution (full client license). Altiris Deployment Solution 6.5 (management console) available as free download from Altiris at: www.altiris.com/hptc HP ThinState for image capture and redeploy Terminal emulation software, Citrix ICA, and Microsoft RDP Windows Media Player 9 Other software available as add-ons (see www.hp.com/support for latest list of available add-ons) | |
| Languages (MUI) | English, French, German, Spanish, Dutch, Norwegian, Korean, Simplified Chinese, Traditional Chinese, and Japanese | |
| Dimensions H x W x D (approximate) | Without stand | 10.0 x 1.8 x 8.47 in (254.5 x 45.7 x 215.14 mm) |
| | With stand | 10.5 x 1.8 x 8.47 in (266.7 x 45.7 x 215.14 mm) |
| | With Expansion Module | 10.0 x 3.0 x 8.47 in (254.5 x 76.2 x 215.14 mm) |
| Weight (approximate) | With stand | 3.5 lb (1.6 kg) |
| | With Expansion Module | 4.8 lb (2.2 kg) |
| Environmental | Temperature range on | 50° to 104° F (10 to 40° C) |
| | Temperature range on when using the Quick Release with a flat panel monitor or PCI expander | 50° to 104° F (10 to 40° C) |
| | Temperature range off | -22° to 140° F (-30 to 60° C) |
| | Humidity | 20% to 80% condensing 10% to 95% non-condensing |

Technical Specifications

| | | |
|------------------------------|---------------------------------------|--|
| | Power¹ | Worldwide auto-sensing 100-240 VAC, 50-60 Hz energy-saving automatic power-down, surge-tolerant, 50-watt power supply. |
| Regulatory Compliance | Ergonomics | German ZH1/618; EN29241-3, approved |
| | Safety | UL 1950, CSA 950; TÜV-GS (EN60 950) approved |
| | RF Interference | FCC Class B; CE Mark; EN55022B; VCCI |
| Warranty | Three-year limited hardware warranty. | |

NOTE: Certain restrictions apply. Consult the HP Customer Support Center for details.

¹The actual power consumption at your location could vary and is dependent on many factors including but not limited to software load on the thin client, attached peripherals, and environmental factors.

| Emulations | Emulation | Terminal ID |
|---|--|---|
| | ADDS A2 | |
| | AIXTerm | |
| | ANSI BBS | |
| | AT 386 | |
| | ATT4410 | |
| | DG 410/412 | |
| | HP 700-92/96 | 70092, 70094, 70096, 2392A, 2622A |
| | HZ1500 | |
| | IBM3151 | Mod11, Mod31 |
| | IBM3270 | 3278-2 (24x80), 3278-3 (32x80), 3278-4 (43x80), 3278-5 (27x132), 3278-2-E (24x80), 3278-3-E (32x80), 3278-4-E (43x80), 3278-5-E (27x132), 3279-2 (24x80), 3279-3 (32x80), 3279-4 (43x80), 3279-5 (27x132), 3287-1 |
| | IBM5250 | 5291-1, 5292-2, 5251-11, 3179-2, 3196-A1, 3180-2, 3477-FC (27x132), 3477-FG (24x80), 3486-BA, 3487-HA, 3487-HC, 3812-1 |
| | SCO Console | |
| | Stratus V102 | |
| | TA6530 | |
| | TVI910 | |
| | TVI920 | |
| | TVI925 | |
| | TVI950 | |
| | TVI955 | |
| | VT52, VT100, VT100+, VT500 (7- or 8-bit) | VT100, VT101, VT102, VT125, VT131, VT132, M2200, VT220, VT240, VT320, VT340, VT420, VT510, VT520, VT525 |
| | VT HP220, VT UTF8 | VT100, VT101, VT102, VT125, VT220, VT240, VT320, VT340, VT420, VT131, VT132, M2200, VT510, VT520, VT525 |
| | VT PCTerm | |
| | Wyse PCTerm | |
| | WY50 | |
| | WY50+ | |
| | Y60 | |
| Environment-friendly Products and Approach | RoHS Compliance | Hewlett-Packard is committed to compliance with all applicable environmental laws and regulations, including the European Union Restriction of Hazardous Substances (RoHS) Directive. HP's goal is to exceed |

Technical Specifications

Material Usage

compliance obligations by meeting the requirements of the RoHS Directive on a worldwide basis. From July 1, 2006, RoHS substances will be virtually eliminated (virtually = to levels below legal limits) for all HP electronic products subject to the RoHS Directive, except where it is widely recognized that there is no technically feasible alternative (as indicated by an exemption under the EU RoHS Directive).

This product does not contain any of the following substances in excess of regulatory limits (refer to the HP General Specification for the Environment at: http://www.hp.com/hpinfo/globalcitizenship/environment/supplychain/gen_specifications.html):

- Asbestos
- Certain Azo Colorants
- Certain Brominated Flame Retardants – may not be used as flame retardants in plastics
- Cadmium
- Chlorinated Hydrocarbons
- Chlorinated Paraffins
- Formaldehyde
- Halogenated Diphenyl Methanes
- Lead carbonates and sulfates
- Lead and Lead compounds
- Mercuric Oxide Batteries
- Nickel - finishes must not be used on the external surface designed to be frequently handled or carried by the user.
- Ozone Depleting Substances
- Polybrominated Biphenyls (PBBs)
- Polybrominated Biphenyl Ethers (PBBEs)
- Polybrominated Biphenyl Oxides (PBBOs)
- Polychlorinated Biphenyl (PCB)
- Polychlorinated Terphenyls (PCT)
- Polyvinyl Chloride (PVC) – except for wires and cables, and certain retail packaging has been voluntarily removed from most applications.
- Radioactive Substances
- Tributyl Tin (TBT), Triphenyl Tin (TPT), Tributyl Tin Oxide (TBTO)

Packaging

HP follows these guidelines to decrease the environmental impact of product packaging:

- Eliminate the use of heavy metals such as lead, chromium, mercury and cadmium in packaging materials.
- Eliminate the use of ozone-depleting substances (ODS) in packaging materials.
- Design packaging materials for ease of disassembly.
- Maximize the use of post-consumer recycled content materials in packaging materials.
- Use readily recyclable packaging materials such as paper and corrugated materials.
- Reduce size and weight of packages to improve transportation fuel efficiency.
- Plastic packaging materials are marked according to ISO 11469 and DIN 6120 standards.

End-of-life Management Hewlett-Packard offers end-of-life HP product return and recycling programs

Technical Specifications

and Recycling

in many geographic areas. To recycle your product, please go to: <http://www.hp.com/recycle> or contact your nearest HP sales office. Products returned to HP will be recycled, recovered or disposed of in a responsible manner.

The EU WEEE directive (2002/95/EC) requires manufacturers to provide treatment information for each product type for use by treatment facilities. This information (product disassembly instructions) is posted on the Hewlett Packard web site at: <http://www.hp.com/go/recyclers>.

These instructions may be used by recyclers and other WEEE treatment facilities as well as HP OEM customers who integrate and re-sell HP equipment.

Hewlett-Packard Corporate Environmental Information

For more information about HP's commitment to the environment:
[link to new HP white paper now in progress]

Global Citizenship Report:

<http://www.hp.com/hpinfo/globalcitizenship/gcreport/index.html>

Eco-label certifications:

<http://www.hp.com/hpinfo/globalcitizenship/environment/productdesign/ecolabels.html>

ISO 14001 certificates:

<http://www.hp.com/hpinfo/globalcitizenship/environment/operations/envmanagement.html>

© 2008 Hewlett-Packard Development Company, L.P.

Microsoft, Windows, and Windows NT are trademarks or registered trademarks of Microsoft Corporation in the United States and other countries. AMD and Geode are trademarks of Advanced Micro Devices, Inc.

The information contained herein is subject to change without notice and is provided "as is" without warranty of any kind. The warranties for HP products and services are set forth in the express limited warranty statements accompanying such products and services. Nothing herein should be construed as constituting an additional warranty. HP shall not be liable for technical or editorial errors or omissions contained herein.