

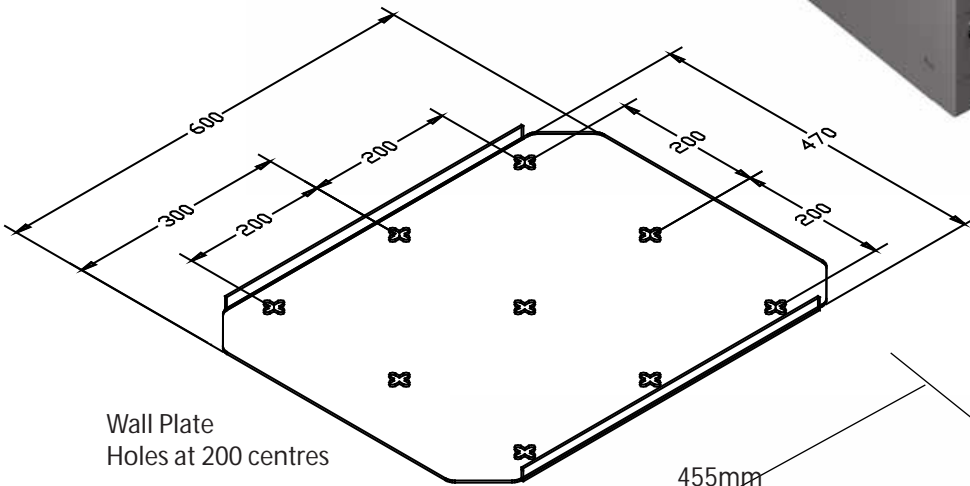
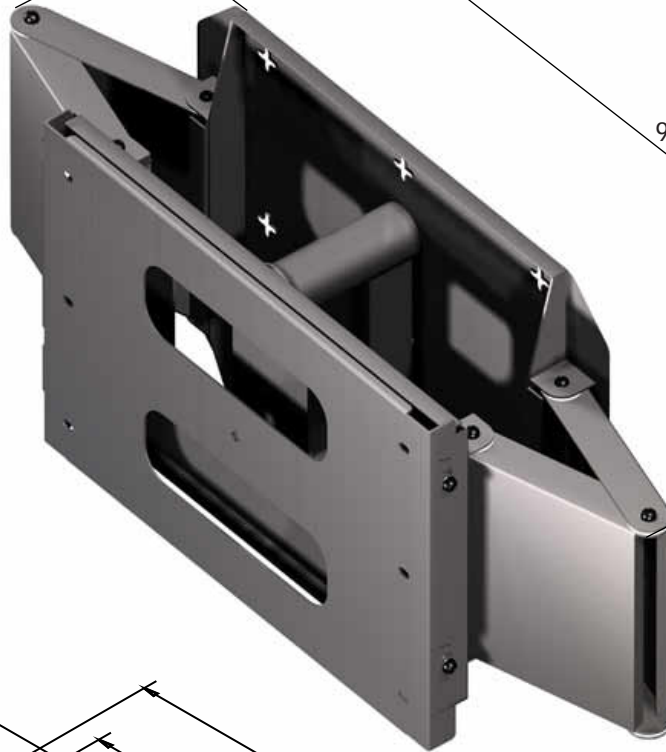


Code - EPW - weight 30Kg
EXTENDING WALL BRACKET

200mm

Min Extension

945mm



Wall Plate
Holes at 200 centres

455mm

Max Extension

730mm

